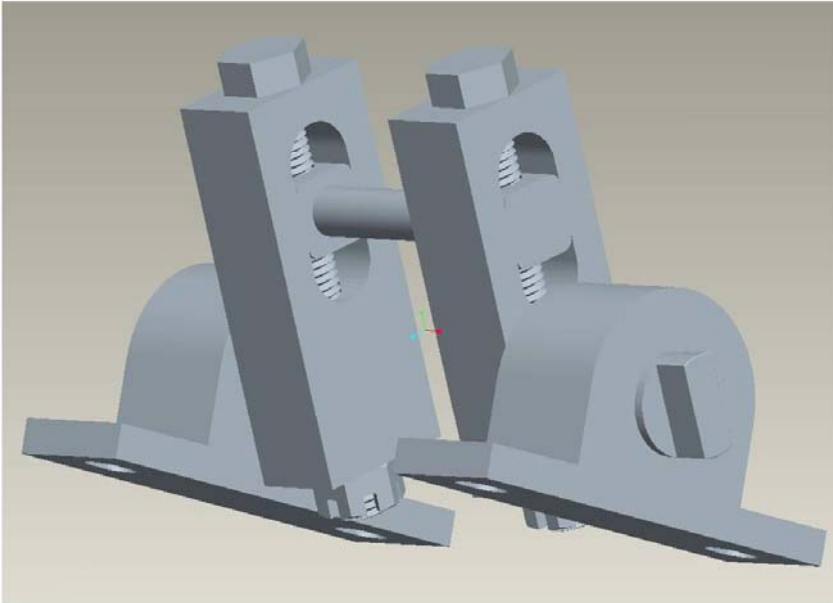


Adjustable Stroke Crank

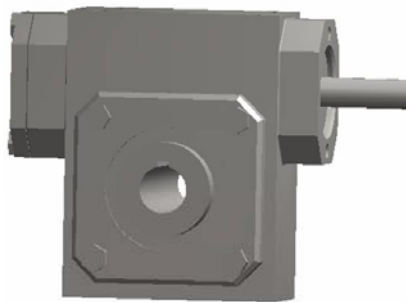


- Variable Length Crank Radius
- Adjustable Radius From
 $R = 1.25''$ to $R = 2.25''$
- Variable Pump Displacement
5.64 ci/rev up to 10.15 ci/rev
- Theoretical Displacement Needed
5.1 ci/rev
- Fine Tune Flow Rate
- Possible Top Speeds Much Higher Than 18 MPH
- Not Meant as "On The Fly"
- Eliminates Extra Parts for Testing

Major Drivetrain Components



Parker Series HMI Cylinders
Serve as system's pump
2 cylinders mounted 90° out of phase
Powered by common journal attached to pedals



Grove Gear
OE Series Gearbox
Model # 20Y-1
10:1 reduction powers rear axle



Eaton Model MVB5
Variable Displacement
Axial Piston Motor

Cutting Frame Pieces



Frame Welding

